



WaveController

NETWORK INTERFACE



The link to WaveRider

Small, unobtrusive, but powerful – The Heartland MicroPayments WaveController is the vital link between your WaveReaders and the WaveRider system.

The WaveController is completely wireless, easy to install, and supports up to forty WaveReaders (each) with Zigbee mesh-network technology. After coordinating all communications traffic with the WaveReaders, the WaveController utilizes a secure, convenient cellular connection to the host network for transaction authorization, settlement, and machine auditing.

The WaveController also serves as the information gateway for Heartland's WaveVision and WaveCentral services. WaveVision allows your laundry service customers to know which machines are available, and when their laundry cycle has finished. WaveCentral makes sure you know what is happening with your machines, and when service actions may be needed.



The **WaveController** provides the following features and functionality:

▪ **Benefits & Advantages**

- ✓ Completely wireless connectivity to WaveReaders and host network
- ✓ Small footprint maximizes installation options
- ✓ Economical - can support up to forty WaveReaders per unit (40 : 1)

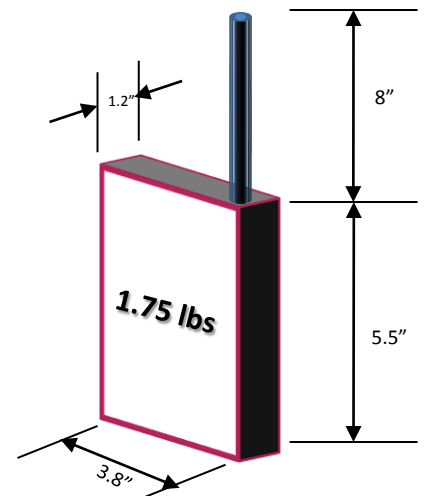
▪ **Remote Capabilities**

- ✓ Fully supports WaveVision web application
- ✓ Fully supports WaveCentral web application

▪ **Connectivity Options**

- ✓ Cellular – to host
- ✓ Zigbee – to Wave Readers

| Technical Specifications - WaveController | |
|---|--|
| Physical Dimensions | 5.5" H x 3.8" W x 1.2" D (additionally cellular antenna requires minimum of 8" clearance) |
| Weight | 1.75 lbs |
| Exterior Finish | Corrosion resistant Powder Coat, Low Texture Enamel (WHITE) |
| Electrical Requirements | 120 VAC, < 2 Amp max load |
| Electronic Security | All communications are encrypted |
| Remote Management | Financial Auditing, WaveVision, and WaveCentral |
| Communications | Zigbee to WaveReaders (encrypted) Cellular to Host (encrypted) |
| Operating Temperature | 41 F to 104 F (+5 C to +40 C) |
| Relative Operating Humidity | 20% - 80%, non-condensing |
| Mounting Options | Can mount virtually anywhere that ensures reliable wireless connections |



WaveController
NETWORK INTERFACE