



OneStop CHARGE

Credit, or Code... It's your choice.

The Heartland Micropayments **OneStop Charge** Revalue Station accepts credit cards and code based loads to add value to electronic cash cards. No cash is accepted by the unit, so risk is minimized. The unit also features an easy-to-read display, optional card dispenser, and an integrated printer. Setup is fast and easy, requiring only a standard power connection and a single telephone line, or LAN Connection.

The OneStop helps keep operating costs to a minimum. Save time on reconciliation with full reporting from both Heartland's Online Merchant Center (www.heartlandpaymentsystems.com/OMCDemo/) and the internal report generation capabilities of the unit.

The OneStop is component-based and is offered in two mounting options – front opening wall, and front opening recessed.

Credit card transactions are processed through Heartland Payment Systems' state-of-the-art processing platform, and merchants are typically paid every twenty-four hours.

The OneStop Revalue Station provides the following features and functionality:

▪ **Benefits & Advantages**

- ✓ Full reporting capabilities
- ✓ Quiet and fast thermal printer with easy-loading mechanism
- ✓ Mechanical, non-resettable counters

▪ **Chip Card Revalue Sources**

- ✓ Credit cards (provides SSL security)
- ✓ Code Based Revalue (adds & refunds)

▪ **Card Dispensing Options**

- ✓ Cards may be purchased by Codes obtained on a provider's RevalueMyCard website, or by credit/debit card.

▪ **Remote Capabilities**

- ✓ Download and upgrade firmware remotely.
- ✓ Download parameter changes remotely.
- ✓ Perform set-up remotely.
- ✓ Remote management also includes error reporting, exception reporting, and real-time polling for data collection.

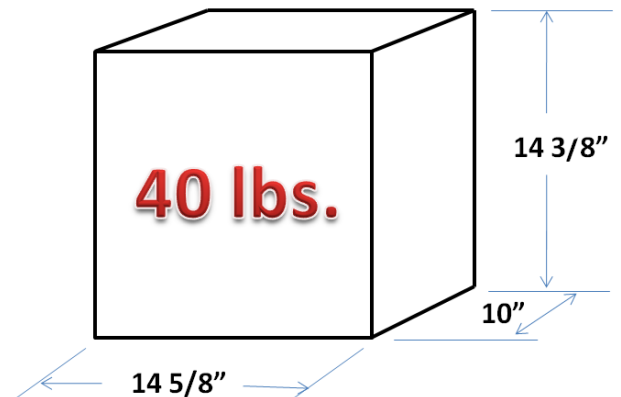
▪ **Connectivity Options**

- ✓ TCP/IP
- ✓ Dial up

▪ **Component Options**

- ✓ Card dispenser
- ✓ Receipt printer
- ✓ Remote data collection
- ✓ Code Based Revalue

Technical Specifications – OneStop Charge	
Physical Dimensions	14 5/8" H X 14 3/8" W X 10" D
Weight	Approx. 40 lbs
Physical Security	Robust construction of 16ga Hot-Rolled Steel, High Security Lock
Exterior Finish	Corrosion resistant Powder Coat, Low Texture
Electrical Requirements	120 VAC, < 2 Amp max load
Electronic Security	Non-resettable counter, PCI Compliant, Remote Auditing, 5-yr Battery Backup
Remote Management	Financial Auditing, Application Upgrades, Parameters Changes, Set-Up
Communications	SSL Security - TCP/IP (CAT5), Wireless (802.11G), Dial-Modem
Add Value Methods	Credit, Code Based
Card Dispenser Capacity	120 Cards (30 mil)
Receipt Printer	Thermal - 2.25" paper size (approx. 140 receipts per roll)
Operating Temperature	41 F to 104 F (+5 C to +40 C)
Relative Operating Humidity	20% - 80%, non-condensing
Access Options	Front Access
Mounting Options	Wall Mounted, Recessed



OneStop
CHARGE