



ClassicCash

CASH TO CARD

- ✓ Convenient
- ✓ Reliable
- ✓ Peace of Mind



Stimulate card usage by increasing the convenience of card valuing using the Heartland ClassicCash Station.

The Classic Cash to Card provides a secure, reliable means to transfer cash to Heartland's MoneyClip Smart Card. The combination of Heartland's durable designs and system security features make the Cash to Card perfect for both attended and most unattended locations.

Cash



Benefits & Advantages

Effective Security

- ✓ Automatic shutdown after 7 minutes without power to prevent unauthorized use and counterfeiting of cards
- ✓ Uses a secure System Wake-Up Card to reactivate system after shutdown
- ✓ Non-resettable, mechanical counters
- ✓ Complete audit trail, comprehensive electronic reports (2 types) and mechanical counters
- ✓ 5 -year battery back-up

Sturdy, Design

- ✓ Able to withstand abuse in most unattended environments
- ✓ Standard case made of 16-gauge steel
- ✓ Tubular locking mechanisms to withstand tampering and theft attempts

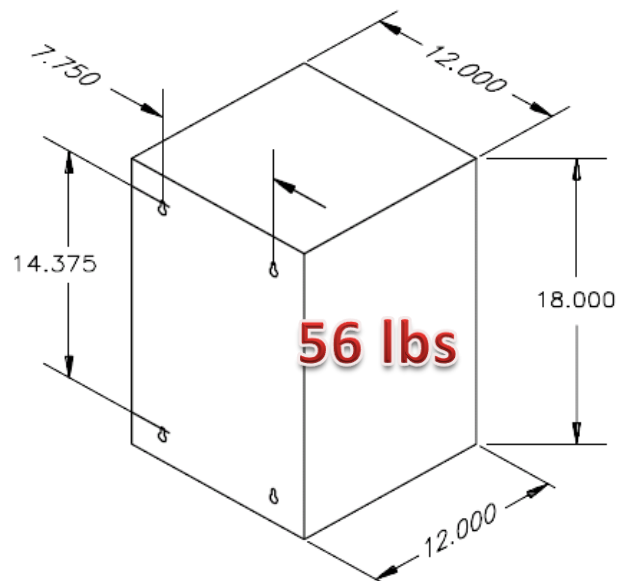
Additional Features

- ✓ Accepts \$1, \$5, \$10, or \$20 bills or can be limited to specific bill denominations
- ✓ Optional Card Dispenser allowing for unattended card purchases
- ✓ Standard bill validator holds up to 600 bills
- ✓ Programmable options support bonuses based on time-of-day, user group or bill denomination

Electronic Data Collection

Data collection is accomplished by the use of a portable, hand-held collection device that can be purchased separately. Once transactions have been collected, data is processed and reports are generated for vendor/merchant settlement.

Technical Specifications – Classic CCS	
Physical Dimensions	18”H X12”W X 12”D
Weight	56 lbs (with Dispenser)
Physical Security	Sturdy construction of 16ga. Cold-Rolled Steel, High Security Lock
Exterior Finish	Corrosion resistant Powder Coat, Low Texture
Electrical Requirements	120 VAC, < 1 Amp max load
Electronic Security	Non-resettable, mechanical counters, Automatic Shutdown, Complete Electronic Auditing, 5-yr Battery Backup
Add Value Methods	Cash Only
Card Dispenser Capacity	120 Cards (30 mil)
Bill Validator	\$1, \$5, \$10, \$20
Bill Stacker Capacity	600 bills
Operating Temperature	41 F to 104 F (+5 C to +40 C)
Relative Operating Humidity	20% - 80%, non-condensing
Access Options	Front Access
Mounting Options	Wall Mounted, Recessed, Pedestal
Pedestal (Optional)	38”H X 12”W X 12”D



ClassicCash
CASH TO CARD